

CELL 742265

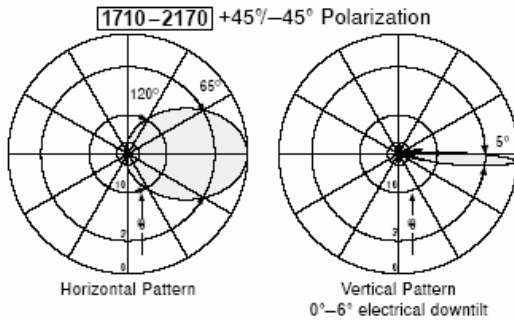
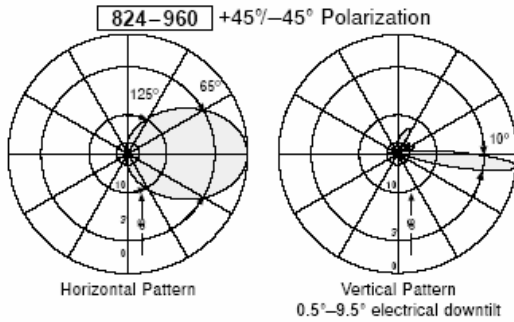
Adjust. Electr. Downtilt 0°–10° 0°–6°
 set by hand or by optional RCU (Remote Control Unit)

XXPol A-Panel 824–960/1710–2170 65°/65° 16/18.5dBi 0°–10°/0°–6°T

Type No.	742 265				
Frequency range	824–960		1710–2170		
	824–894 MHz	890–960 MHz	1710–1890 MHz	1850–1990 MHz	1920–2170 MHz
Polarization	+45°, –45°	+45°, –45°	+45°, –45°	+45°, –45°	+45°, –45°
Gain	2 x 15.5 dBi	2 x 16 dBi	2 x 17.9 dBi	2 x 19.2 dBi	2 x 19.3 dBi
Half-power beam width	Horizontal: 68°	Horizontal: 65°	Horizontal: 66°	Horizontal: 65°	Horizontal: 63°
Copolar +45°/–45°	Vertical: 10.5°	Vertical: 10°	Vertical: 5.2°	Vertical: 5.0°	Vertical: 4.7°
Electrical tilt continuously adjustable	0.5°–9.5°	0.5°–9.5°	0°–6°	0°–6°	0°–6°
Sidelobe suppression for first sidelobe above horizon	0° ... 5° ... 10° T 16 ... 16 ... 17 dB	0° ... 5° ... 10° T 18 ... 18 ... 18 dB	0° ... 3° ... 6° T 14 ... 13 ... 13 dB	0° ... 3° ... 6° T 18 ... 17 ... 14 dB	0° ... 3° ... 6° T 18 ... 17 ... 14 dB
Front-to-back ratio, copolar	> 27 dB	> 25 dB	> 25 dB	> 25 dB	> 25 dB
Cross polar ratio	Typically: 20 dB	Typically: 20 dB	Typically: 16 dB	Typically: 18 dB	Typically: 19 dB
Maindirection	0°				
Sector	±60°	> 10 dB	> 10 dB	> 10 dB	> 10 dB
Isolation: Intrasystem	> 30 dB	> 30 dB	> 30 dB	> 30 dB	> 30 dB
Isolation: Intersystem	> 50 dB (824–960 // 1710–2170 MHz)				
Impedance	50 Ω	50 Ω	50 Ω	50 Ω	50 Ω
VSWR	< 1.5	< 1.5	< 1.5	< 1.5	< 1.5
Intermodulation IM3 (2 x 43 dBm carrier)	< –150 dBc		< –150 dBc		
Max. power per input	250 W		200 W		
	(at 50 °C ambient temperature)				



XXPol Dual-b.



Mechanical specifications

Input	4 x 7-16 female
Connector position	Bottom
Adjustment mechanism	2x, Position bottom continuously adjustable
Weight	23 kg
Wind load	Frontal: 340 N (at 150 km/h) Lateral: 290 N (at 150 km/h) Rearside: 640 N (at 150 km/h)
Max. wind velocity	200 km/h
Packing size	2215 x 302 x 192 mm
Height/width/depth	1916 / 262 / 199 mm