



CELLite® Vertical Polarized Antenna, 824-960, 90deg, 13.3/13.5dBi, 0.9m, FET, 0deg

**Product Description**

Well adapted for dense urban network

**Features/Benefits**

- Co-site interference reduction (F/B ratio, fast horizontal pattern roll-off).
- Allows quasi-omni solution in multipath propagation configuration.
- Distance between antennas can be reduced thus minimizing visual impact.
- Broad bandwidth allows installation on all cellular standards.
- Easy to install due to only 2 mechanical clamps independent of antenna size.
- Ensures very homogeneous coverage in 3-sector configuration.



**Technical Specifications**

**Electrical Specifications**

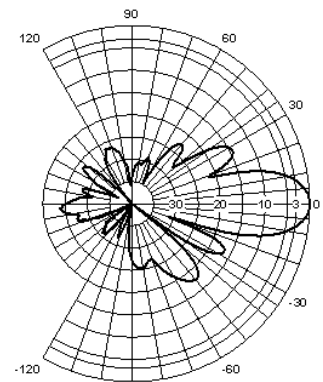
Frequency Range, MHz	824-894	872-960
Horizontal Beamwidth, deg	90	
Vertical Beamwidth, deg	17.5	
Electrical Downtilt, deg	0	
Gain, dBi (dBd)	13.3 (11.2)	13.5 (11.4)
Front-To-Back Ratio, dB	>25	
Polarization	Vertical	
VSWR	< 1.5:1, < 1.3:1	
3rd Order IMP @ 2 x 43 dBm, dBc	>150	
Impedance, Ohms	50	
Maximum Power Input, W	1000	
Lightning Protection	Direct Ground	
Connector Type	7-16 DIN Female	

**Mechanical Specifications**

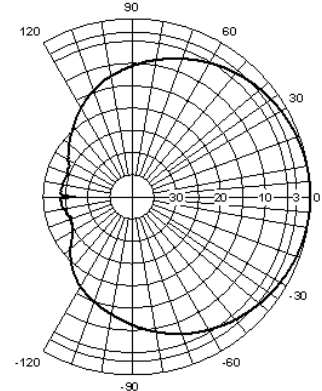
Dimensions - HxWxD, mm (in)	987 x 262 x 140 (38.84 x 9.05 x 5.51)	
Weight w/o Mtg Hardware, kg (lb)	5 (11)	
Survival Wind Speed, km/h (mph)	200 (125)	
Rated Wind Speed, km/h (mph)	160 (100)	
Max Wind Loading Area, m² (ft²)	0.26 (2.8)	
Front Thrust @ Rated Wind, N (lbf)	509 (114)	
Maximum Thrust @ Rated Wind, N (lbf)	509 (114)	
Wind Load - Side @ Rated Wind, N (lbf)	363 (81)	
Wind Load - Rear @ Rated Wind, N (lbf)	498 (111)	
Radome Material	UV Resistant ASA	
Radome Color	Light Grey RAL7035	
Mounting Hardware Material	Diecasted Aluminum	
Packing Dimensions, HxWxD, mm (in)	1120 x 300 x 220 (44.07 x 11.81 x 8.66)	

**Ordering Information**

Mounting Hardware	APM40-2
Mounting Pipe Diameter, mm (in)	60-120 (2.36-4.72)
Mounting Hardware Weight, kg (lb)	3.4 (7.5)



Vertical Pattern



Horizontal Pattern

**Other Documentation**

- [APM40 Series Datasheet](#)
- [APM40 Series Installation Instructions](#)

All information contained in the present datasheet is subject to confirmation at time of ordering