

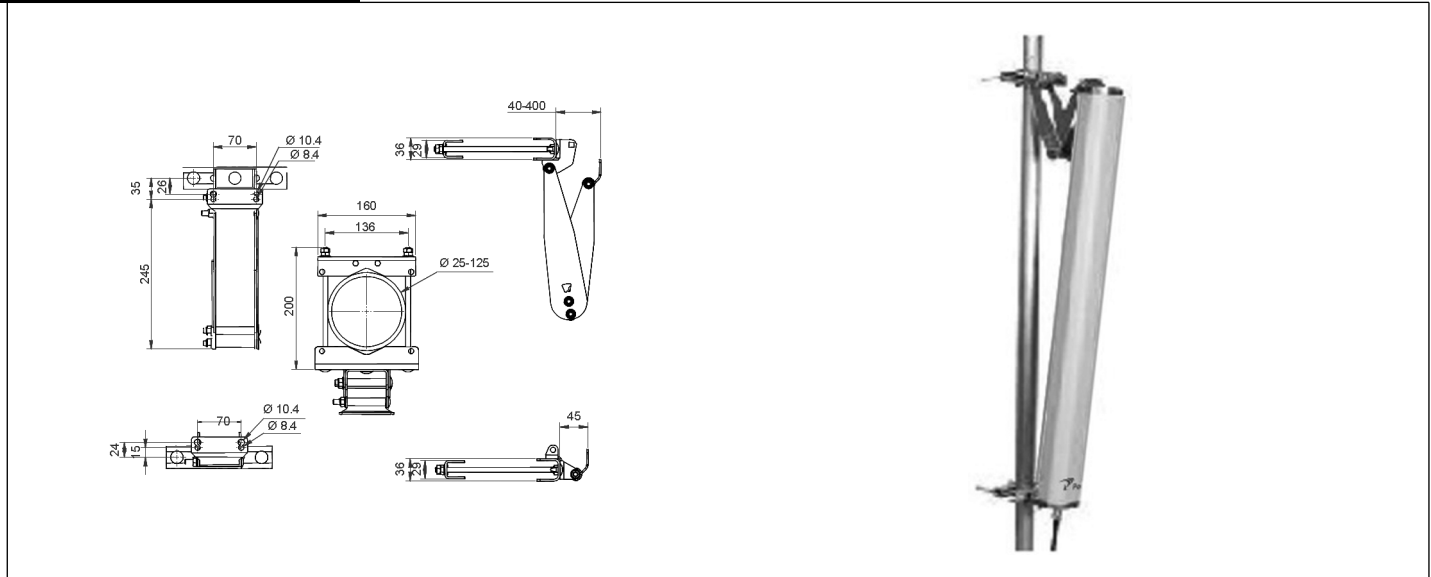
7456.00A Tilt Bracket Kit

ANTENNA LENGTH: <1.5 meter/ 5 feet
WEIGHT: 3.6 kg/7.9 lbs

CROSS REFERENCE TABLE

Family	Part Number
LBB65	NA
LBB90	NA
DHBB	NA
DBB65	NA
DBB90	NA
TBB65	NA
ALP	NA
City	NA
Urban	7225.0x, 7226.0x, 7227.0x, 7228.0x, 7230.0x, 7231.0x, 7232.0x, 7233.0x, 7270.0x, 7271.0x, 7272.0x, 7273.0x, 7275.0x, 7276.0x, 7277.0x, 7278.0x
Xurban	7216.0x, 7217.0x, 7218.0x, 7255.0x, 7263.0x, 7281.0x, 7282.0x
AL Antennas	7337.0x, 7338.0x, 7339.0x
5 Series	570x.0x, 572x.x, 5735.x0, 5740.x0, 5745.x0

MECHANICAL DRAWINGS



MECHANICAL SPECIFICATIONS

Dimensions, H x W x D	See Drawings
Weight	3.6 kg/7.9 lbs
Material	Galvanized steel, stainless screws & nuts
Packing size, H x W x D	Call for info
Shipping weight	4.0 kg/ 8.8 lbs
Tilt range	See diagram
Pole dimension	25-115 mm
Panning range	NA
Accessory products	Panning Kit 2201.11/ Big Pole Clamp, 7458.00/ Flush wall, pole clamp 7455.00 and Triple Mount Bracket 7454.00

All brackets fulfill the requirements stated in the standards to follow. Antennas are tested together with their corresponding brackets.

Random Vibration: IEC 60068-2-64

Sinus Vibration: IEC 60028-2-6

Salt Mist: IEC 68-2-11, test Ka, 35° C, 48h, 5% salt

TILT ANGLE GRAPH

